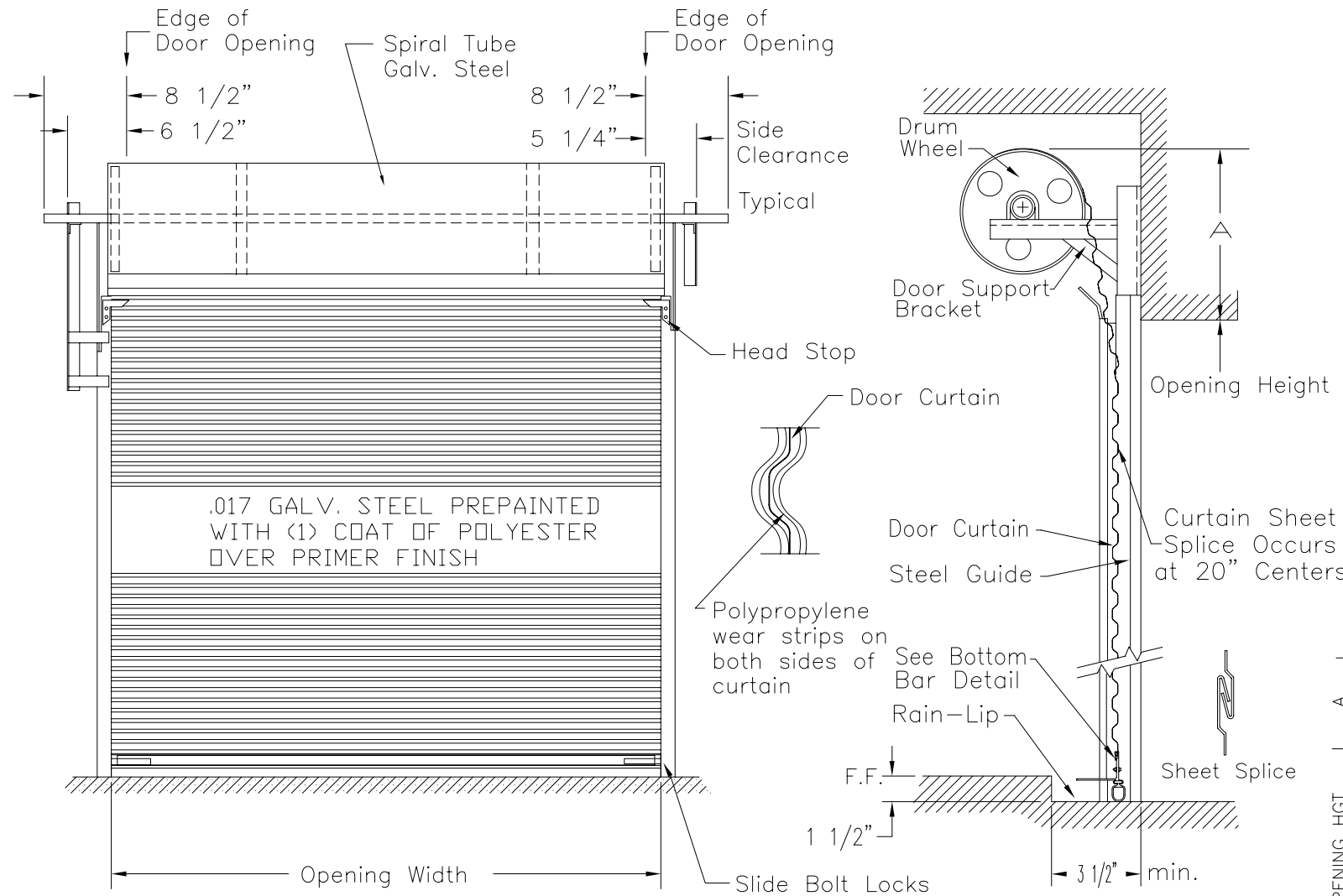


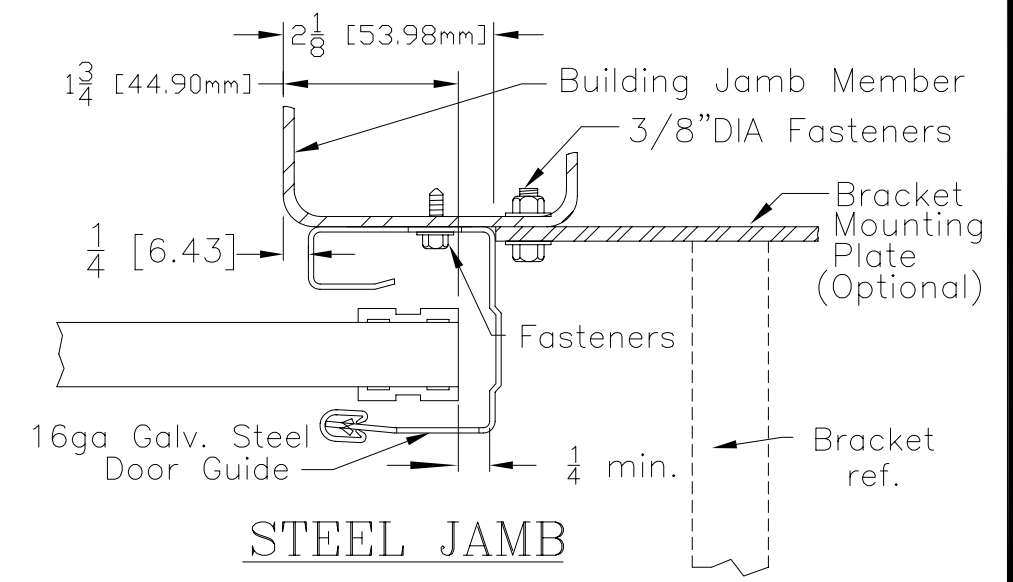
REV	DATE	ECN NO.	DESCRIPTION	APPVD:



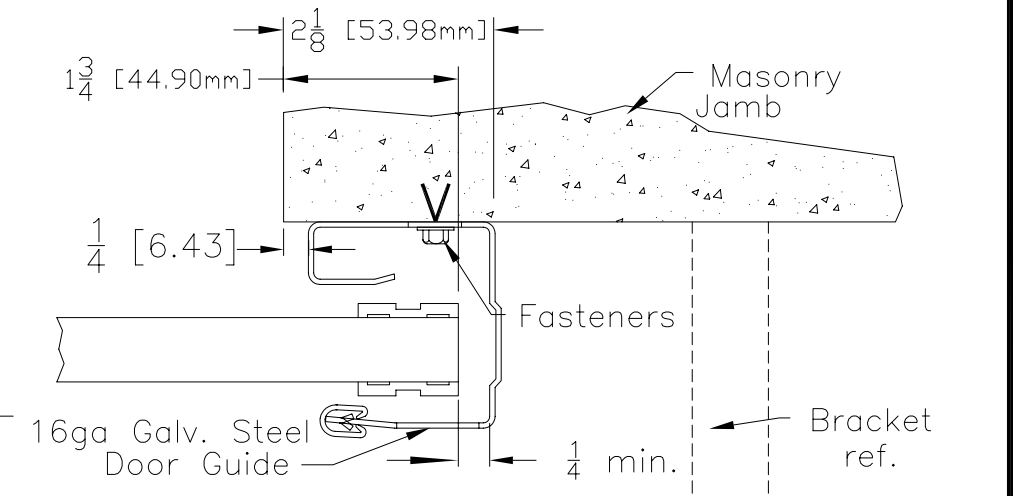
**INTERIOR ELEVATION**

**SIDE ELEVATION**

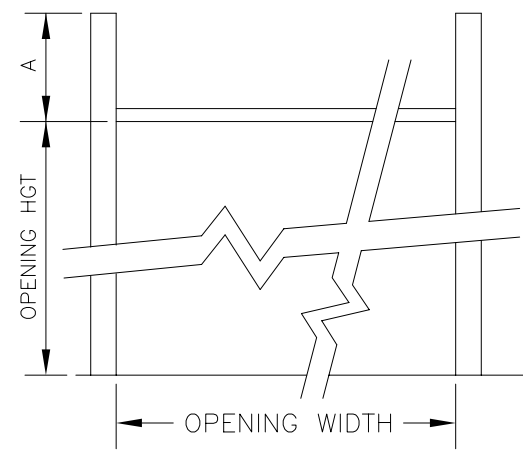
HEADROOM	"A" DIM
UP TO 10'-0"	17.5"
10'-1" TO 14'-0"	19.5"
14'-1" TO 16'-0"	21"



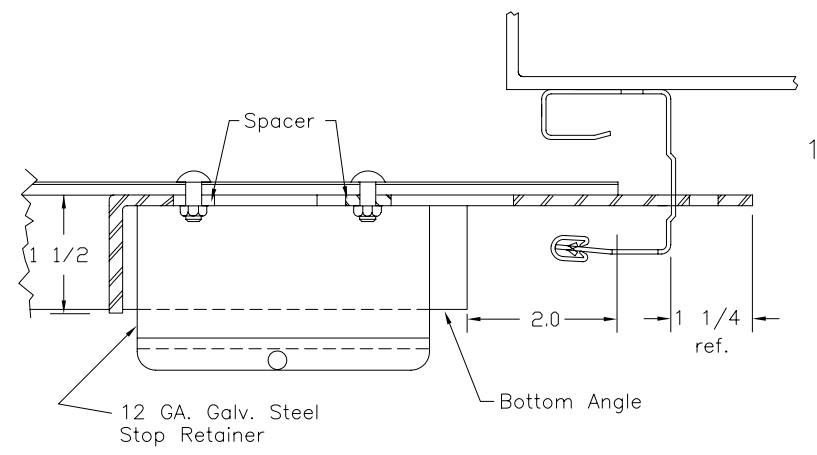
**STEEL JAMB**



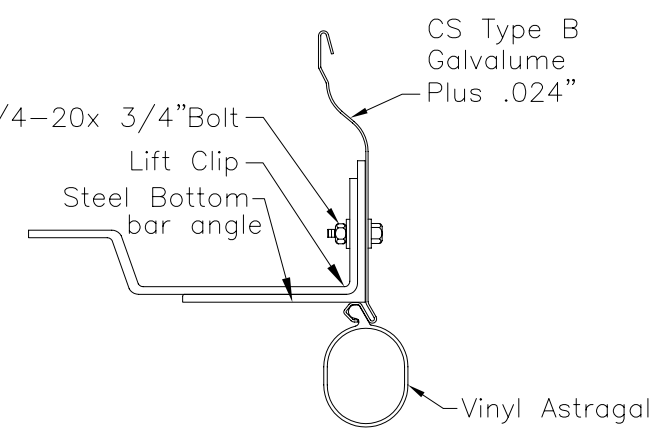
**MASONRY JAMB**



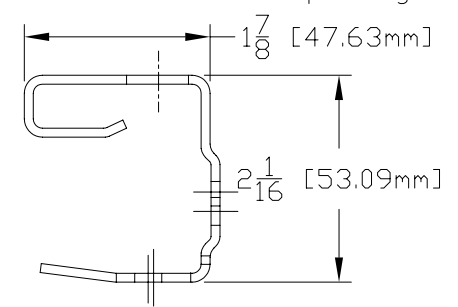
**FRAMING DETAIL**



**SLIDE BOLT LOCK ASSEMBLY**

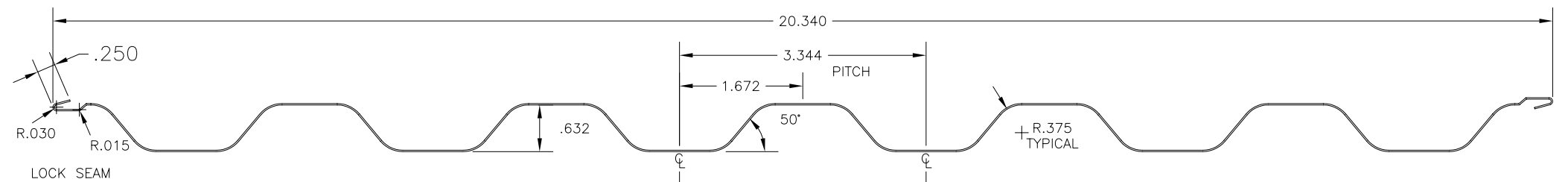


**BOTTOM BAR**



**GUIDE**

"D"							
"C"							
"B"							
"A"							
DOOR	QTY.	WIDTH	HGT.	TYPE OF OPERATION	JAMBS	COLOR	COMMENTS



**CORRUGATED SHEET**

MODEL 601

10407 Rocket Blvd. Orlando Fl. 32824  
407.859.6770 Fax 407.447.2923 usdoor.com

JOB: \_\_\_\_\_  
CONTRACTOR: \_\_\_\_\_  
ARCHITECT: \_\_\_\_\_  
ADDRESS: \_\_\_\_\_  
DISTRIBUTOR: \_\_\_\_\_  
ADDRESS: \_\_\_\_\_

DATE: 07.01.09 SHEET: 1  
DRAWN BY: \_\_\_\_\_  
CHECKED BY: \_\_\_\_\_  
DRAWING NUMBER  
601-00-120