



MIAMI-DADE COUNTY
 BUILDING CODE COMPLIANCE OFFICE (BCCO)
 PRODUCT CONTROL DIVISION

MIAMI-DADE COUNTY, FLORIDA
 METRO-DADE FLAGLER BUILDING
 140 WEST FLAGLER STREET, SUITE 1603
 MIAMI, FLORIDA 33130-1563
 (305) 375-2901 FAX (305) 372-6339

NOTICE OF ACCEPTANCE (NOA)

www.miamidade.gov/buildingcode

US Door & Building Components LLC
 10407 Rocket Boulevard,
 Orlando, FL 32824

SCOPE:

This NOA is being issued under the applicable rules and regulations governing the use of construction materials. The documentation submitted has been reviewed by Miami-Dade County Product Control Division and accepted by the Board of Rules and Appeals (BORA) to be used in Miami Dade County and other areas where allowed by the Authority Having Jurisdiction (AHJ).

This NOA shall not be valid after the expiration date stated below. The Miami-Dade County Product Control Division (In Miami Dade County) and/or the AHJ (in areas other than Miami Dade County) reserve the right to have this product or material tested for quality assurance purposes. If this product or material fails to perform in the accepted manner, the manufacturer will incur the expense of such testing and the AHJ may immediately revoke, modify, or suspend the use of such product or material within their jurisdiction. BORA reserves the right to revoke this acceptance, if it is determined by Miami-Dade County Product Control Division that this product or material fails to meet the requirements of the applicable building code.

This product is approved as described herein, and has been designed to comply with the Florida Building Code, including the High Velocity Hurricane Zone.

DESCRIPTION: Model 566-54-96 Steel Rolling Door 8'-0" Wide

APPROVAL DOCUMENT: Drawing No. 566-54-96, titled "Model 566-54-96", dated 10/07/09, sheet 1 of 1, prepared by US Door & Building Components, signed and sealed by Joseph H. Dixon Jr., P.E., bearing the Miami-Dade County Product Control renewal stamp with the Notice of Acceptance number and expiration date by the Miami-Dade County Product Control Division.

MISSILE IMPACT RATING: Large and Small Missile Impact Resistant

LABELING: Each unit shall bear a permanent label with the manufacturer's name or logo, city, state and following statement: "Miami-Dade County Product Control Approved", unless otherwise noted herein.

RENEWAL of this NOA shall be considered after a renewal application has been filed and there has been no change in the applicable building code negatively affecting the performance of this product.

TERMINATION of this NOA will occur after the expiration date or if there has been a revision or change in the materials, use, and/or manufacture of the product or process. Misuse of this NOA as an endorsement of any product, for sales, advertising or any other purposes shall automatically terminate this NOA. Failure to comply with any section of this NOA shall be cause for termination and removal of NOA.

ADVERTISEMENT: The NOA number preceded by the words Miami-Dade County, Florida, and followed by the expiration date may be displayed in advertising literature. If any portion of the NOA is displayed, then it shall be done in its entirety.

INSPECTION: A copy of this entire NOA shall be provided to the user by the manufacturer or its distributors and shall be available for inspection at the job site at the request of the Building Official.

This NOA **renews NOA # 08-1114.04** and consists of this page 1 and evidence page E-1, as well as approval document mentioned above.

The submitted documentation was reviewed by **Carlos M. Utrera, P.E.**



[Handwritten Signature]
 04/26/10

NOA No. 10-0208.04
 Expiration Date: December 28, 2014
 Approval Date: April 28, 2010
 Page 1

NOTICE OF ACCEPTANCE: EVIDENCE SUBMITTED

A. DRAWINGS

1. Drawing No. **566-54-96**, titled "Model 566-54-96", dated 10/07/09, sheet 1 of 1, prepared by US Door & Building Components, signed and sealed by Joseph H. Dixon Jr., P.E.

B. TESTS

1. Test reports on 1) Uniform Static Air Pressure Test, Loading per FBC, TAS 202-94
2) Large Missile Impact Test per FBC, TAS 201-94
3) Cyclic Wind Pressure Loading per FBC, TAS 203-94
4) Forced Entry Test, per FBC 2411 3.2.1, TAS 202-94
5) Tensile Test per ASTM E8-01,

Along with marked-up drawings and installation diagram of 26 Gauge Model 566 Roll-up Door System, prepared by Certified Testing Laboratories, Test Report No. **CTLA 1997W-1**, dated 10/30/09, signed and sealed by Ramesh Patel, P.E.

2. Test report on salt spray exposure of 0.024" G40 Pre-paint and 0.024" Galvalume Plus in comparison with 0.022" G90 Coupons per ASTM B-117, prepared by PRI Construction Materials Technologies, LLC, Test Report # **PRI09100**, dated 12/30/09, signed by Duc T. Nguyen, P.E.

C. CALCULATIONS

1. Calculations for attachment of guide to steel or masonry jamb, prepared by Joseph H. Dixon, Jr. P.E., dated 12/07/09, signed and sealed by Joseph H. Dixon, P.E.

D. QUALITY ASSURANCE

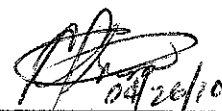
1. Miami Dade Building Code Compliance Office (BCCO)

E. MATERIAL CERTIFICATIONS

1. None.

F. STATEMENTS

1. Statement letter of code conformance, issued by Joseph H. Dixon, dated 12/08/09, signed and sealed by Joseph H. Dixon, Jr., P.E.
2. Statement letter of no financial interest, issued by Joseph H. Dixon, dated 12/08/09, signed and sealed by Joseph H. Dixon, Jr., P.E.



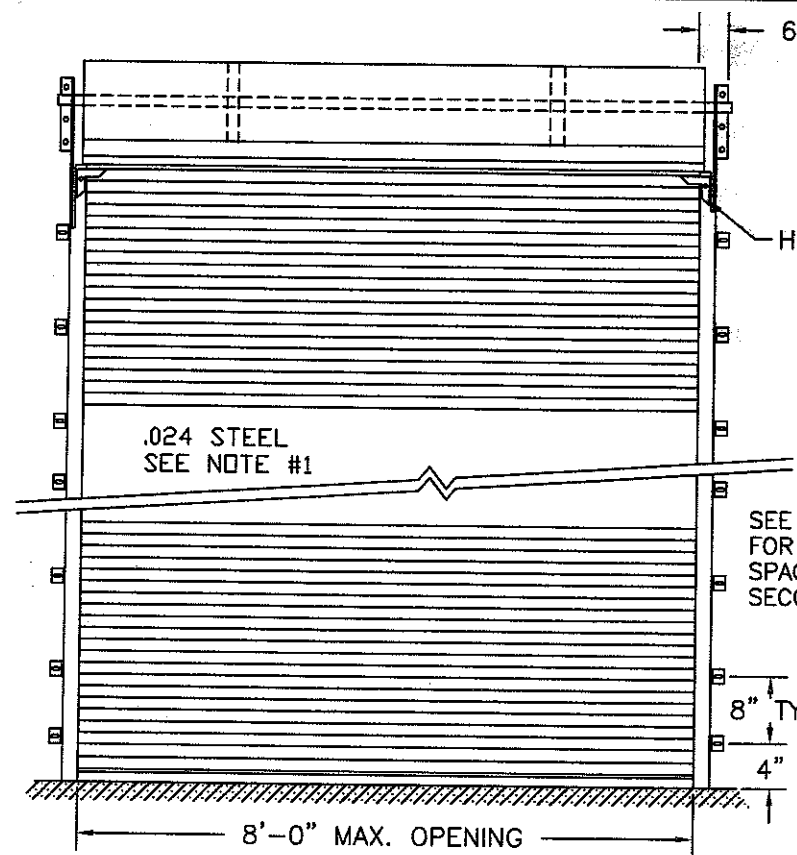
Carlos M. Utrera, P.E.

Product Control Examiner

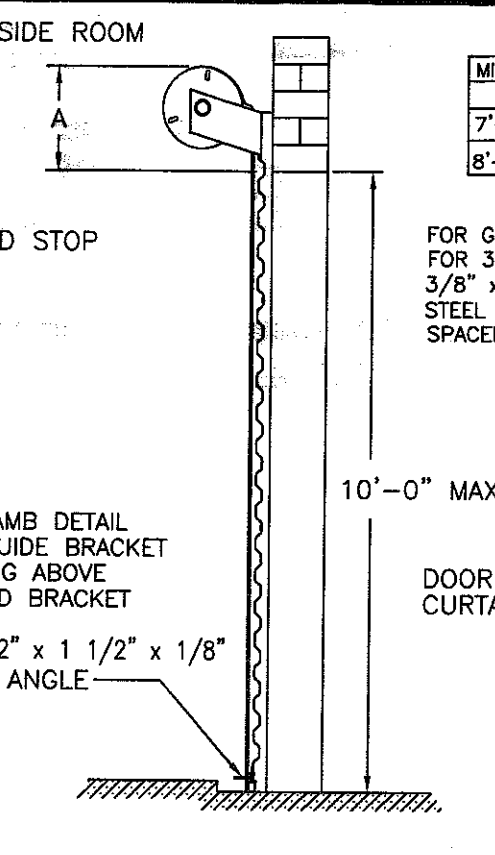
NOA No. 10-0208.04

Expiration Date: December 28, 2014

Approval Date: April 28, 2010



INTERIOR ELEVATION



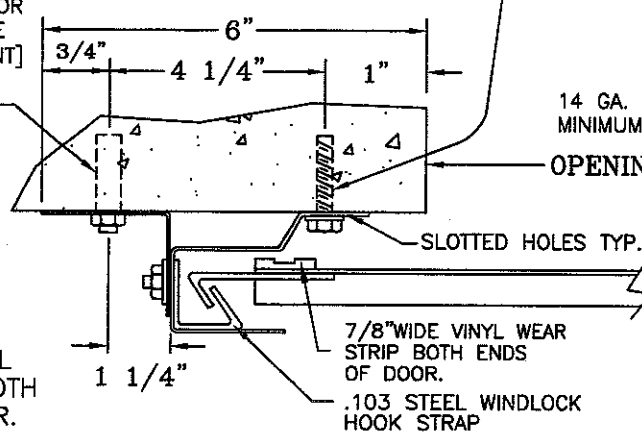
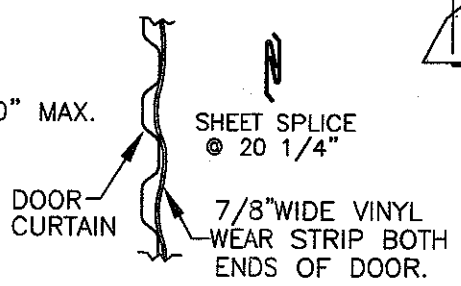
SIDE ELEVATION

MIN. HEADROOM	"A" DIM
UP TO 7'-0"	16"
7'-1" TO 8'-0"	17"
8'-1" TO 10'-0"	18"

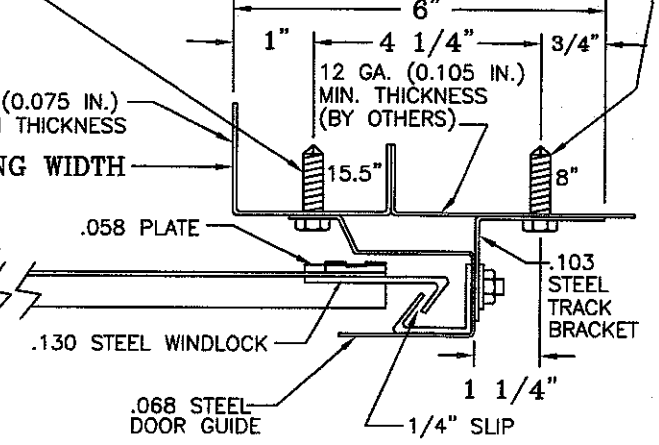
FOR GROUT FILL CONCRETE BLOCK OR FOR 3000PSI CONCRETE JAMBS, USE 3/8" x 1 7/8" HILTI [OR EQUIVALENT] STEEL SLEEVE ANCHORS ZINC FINISH SPACED AT 8" ON CENTER.

FOR GROUT FILL CONCRETE BLOCK OR FOR 3000PSI CONCRETE JAMBS, USE ITW BUILDEX TAPCON ANCHOR 1/4" x 1-3/4" LONG, AND SPACED AT 15.5" MAX. ON CENTER.

FOR .103 STEEL JAMBS, USE DAGGERZ™ TEK SELF-DRILLING FASTENER 1/4-14 x 3/4" LONG SPACED: 15.5" ON CENTER WITH THE 14 GA DOOR GUIDE, 8" ON CENTER WITH THE 12 GA TRACK BRACKET.



CONCRETE BLOCK FILLED JAMB

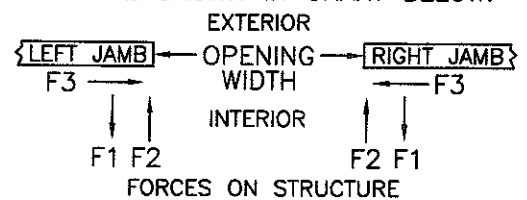


STEEL JAMB

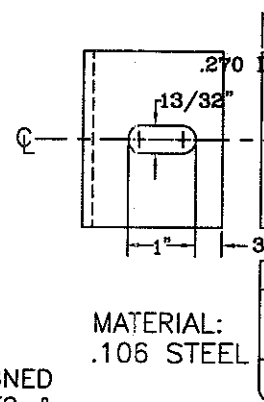
NOTE #1: STEEL USED IS ASTM A-653 SS GRADE (ei) STRUCTURAL QUALITY GRADE 80. G-40 GALVANIZED WITH A BAKED ON PRIMER POLYESTER TOP COAT ON BOTH SIDES.

WINDLOCKS STAMPED FROM .130 GALVANIZED STEEL OF COMMERCIAL QUALITY AND RIVETED TO EACH CORRUGATION IN SHEET (5 WINDLOCKS AT EACH END OF EACH SHEET). WINDLOCK ATTACHED WITH TWO 3/16" STEEL POP RIVETS SUPPORTED BY .058 STEEL BACK-UP PLATES ON EXTERIOR OF CURTAIN.

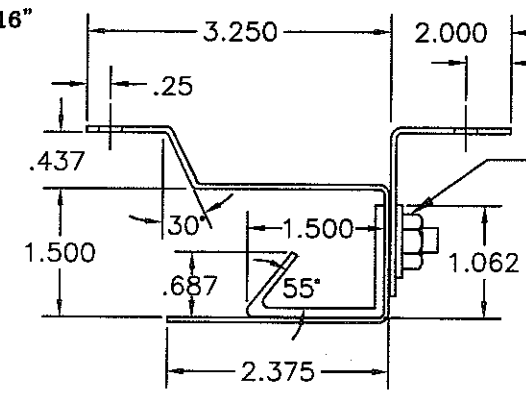
STRUCTURE MUST BE DESIGNED TO SUPPORT FORCES F1, F2 & F3 (SHOWN AS LB/FT OF OPENING HEIGHT) AT EACH JAMB. VALUES ARE SHOWN IN CHART BELOW.



PITCH JAMB TYPE	POSITIVE			NEGATIVE		
	F1	F2	F3	F1	F2	F3
STEEL	235	49	420	141	359	604
CONCRETE BLOCK	235	49	420	141	359	604

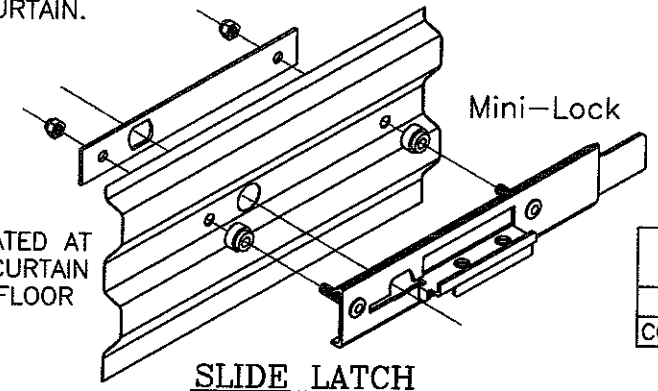


TRACK BRACKET



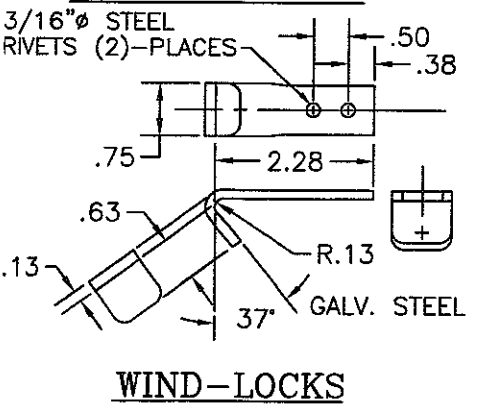
GUIDE DETAIL

MODEL 566-DCC
MAX. OPENING: 8' WIDE x 10' HIGH
46 PSF POSITIVE/54 PSF NEGATIVE

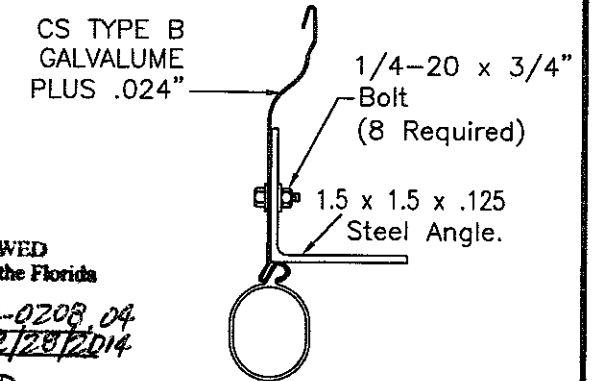


SLIDE LATCH

ONE LOCK LOCATED AT EACH END OF CURTAIN AT 40" ABOVE FLOOR

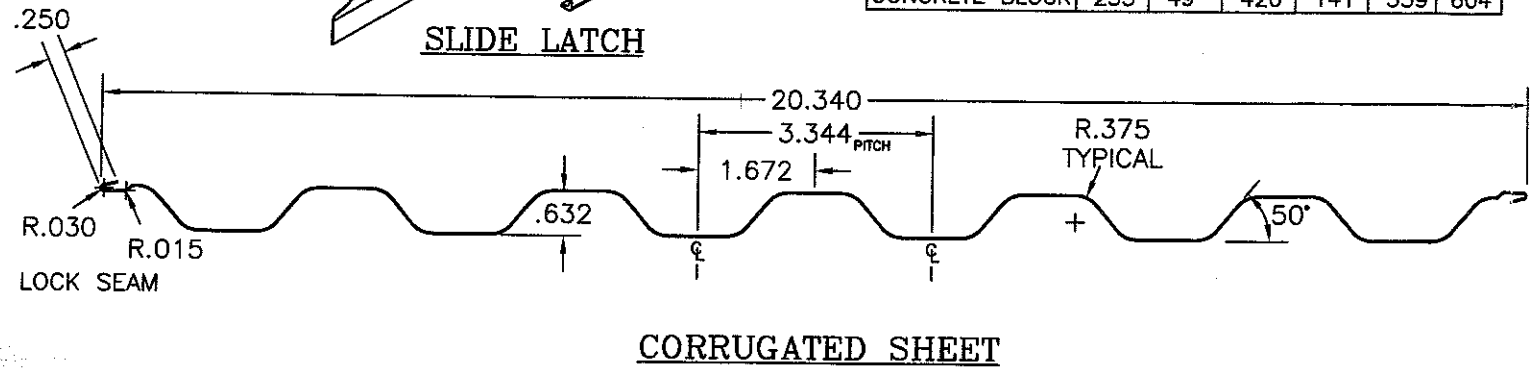


WIND-LOCKS



BOTTOM BAR

PRODUCT RENEWED as complying with the Florida Building Code
Acceptance No. 10-0208.04
Expiration Date 12/28/2014
By: [Signature]
Miami Door Product Control Division



CORRUGATED SHEET

[Signature]
12/7/09
FL 7768

MODEL 566-54-96

U.S. Door & Building Components 10407 Rocket Blvd. Orlando Fl. 32824 407.859.6770 Fax 407.447.2923 usdoor.com	JOB: _____	DATE: 10.07.09 SHEET: 1 of 1
	CONTRACTOR: _____	DRAWN BY: C.D.W.
	ARCHITECT: _____	CHECKED BY: G.O.G.
	ADDRESS: _____	DRAWING NUMBER
	DISTRIBUTOR: _____	566-54-96
	ADDRESS: _____	

Last revision 11.13.09